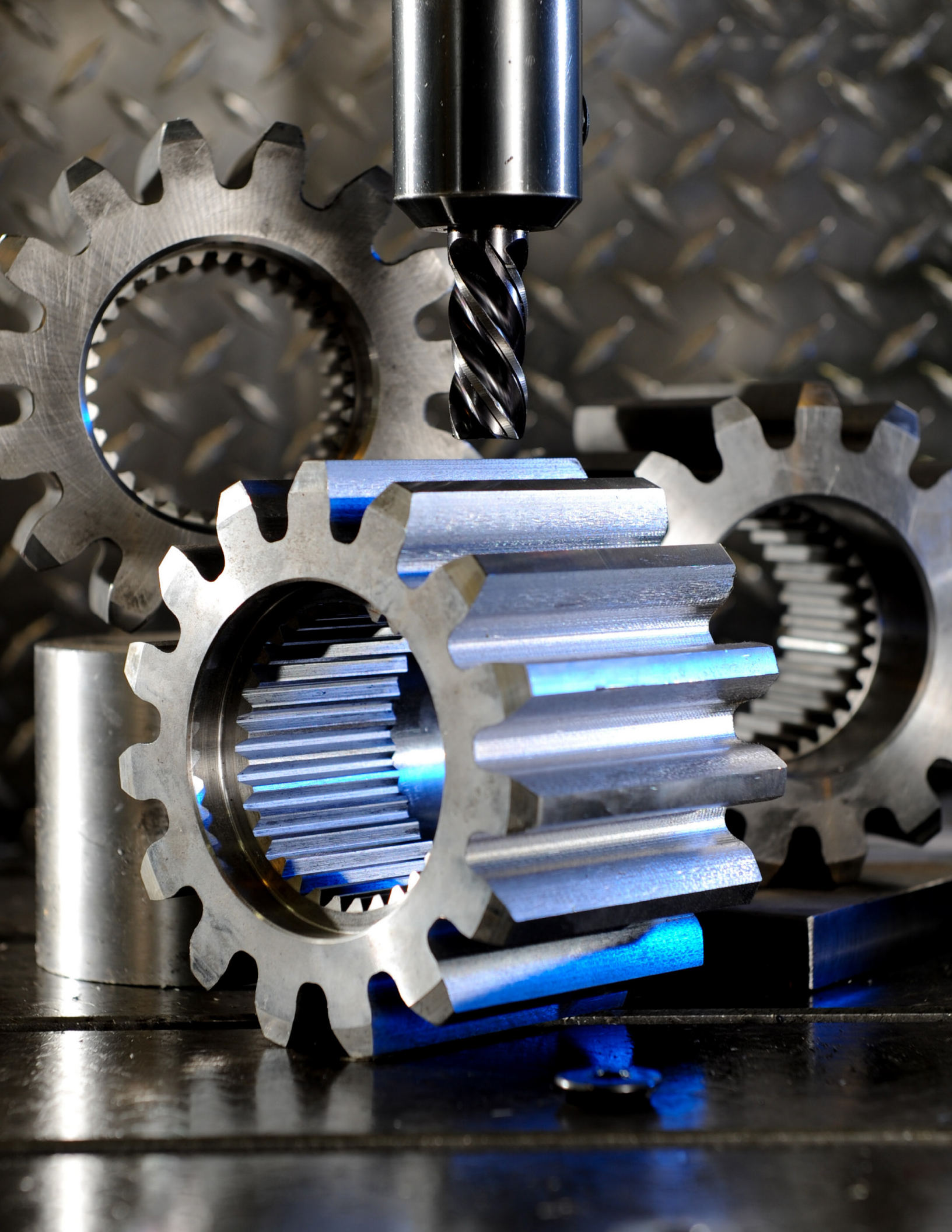


AVRO HOISTS



6600 lb Capacity Man And Material Hoist

TAKING YOU ABOVE THE REST!



Power Cable Hangers

Power Cable Guides

Drive Motors

Electrical Panel

Power Cable

Jump Pole

Mast Section

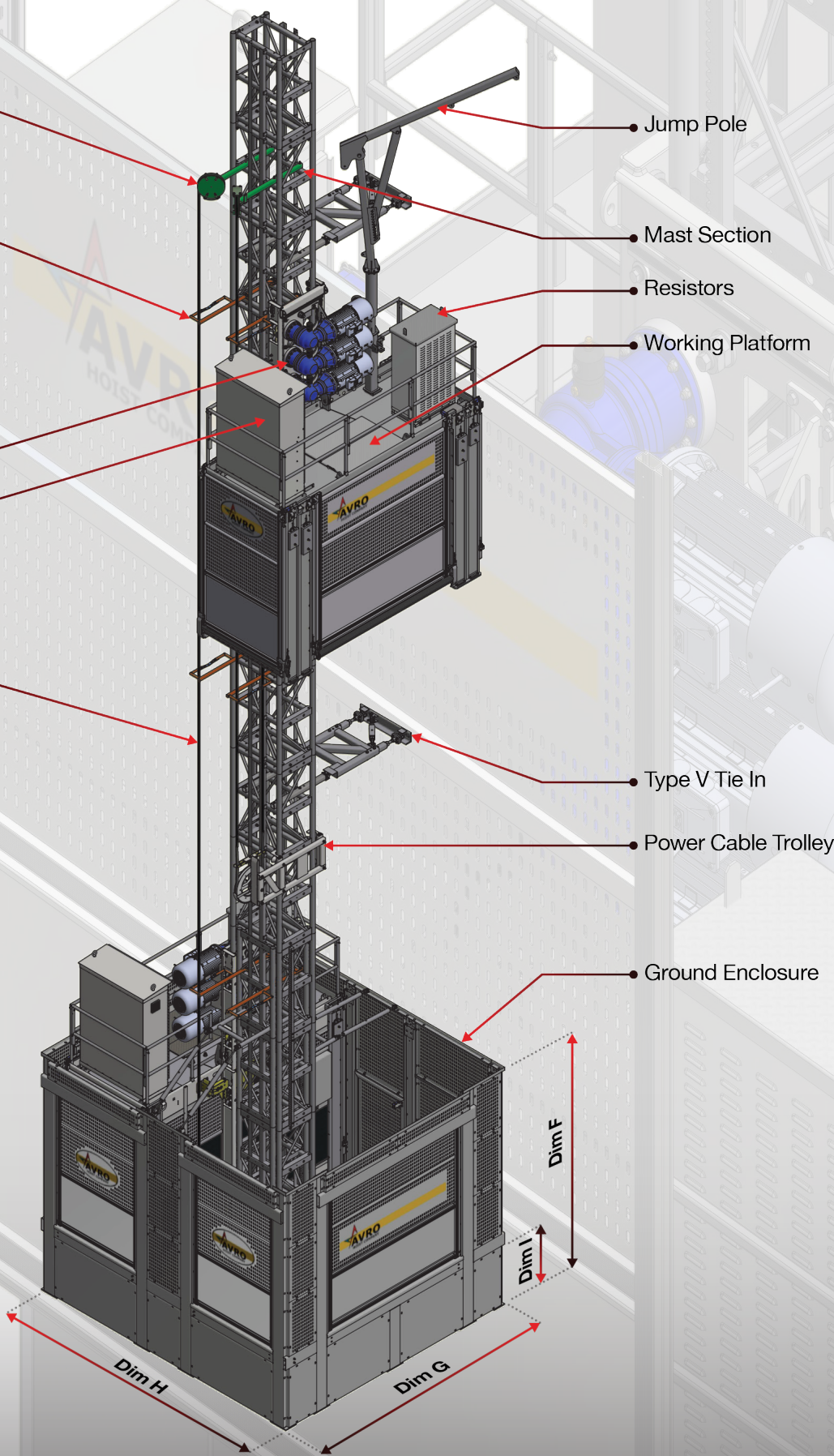
Resistors

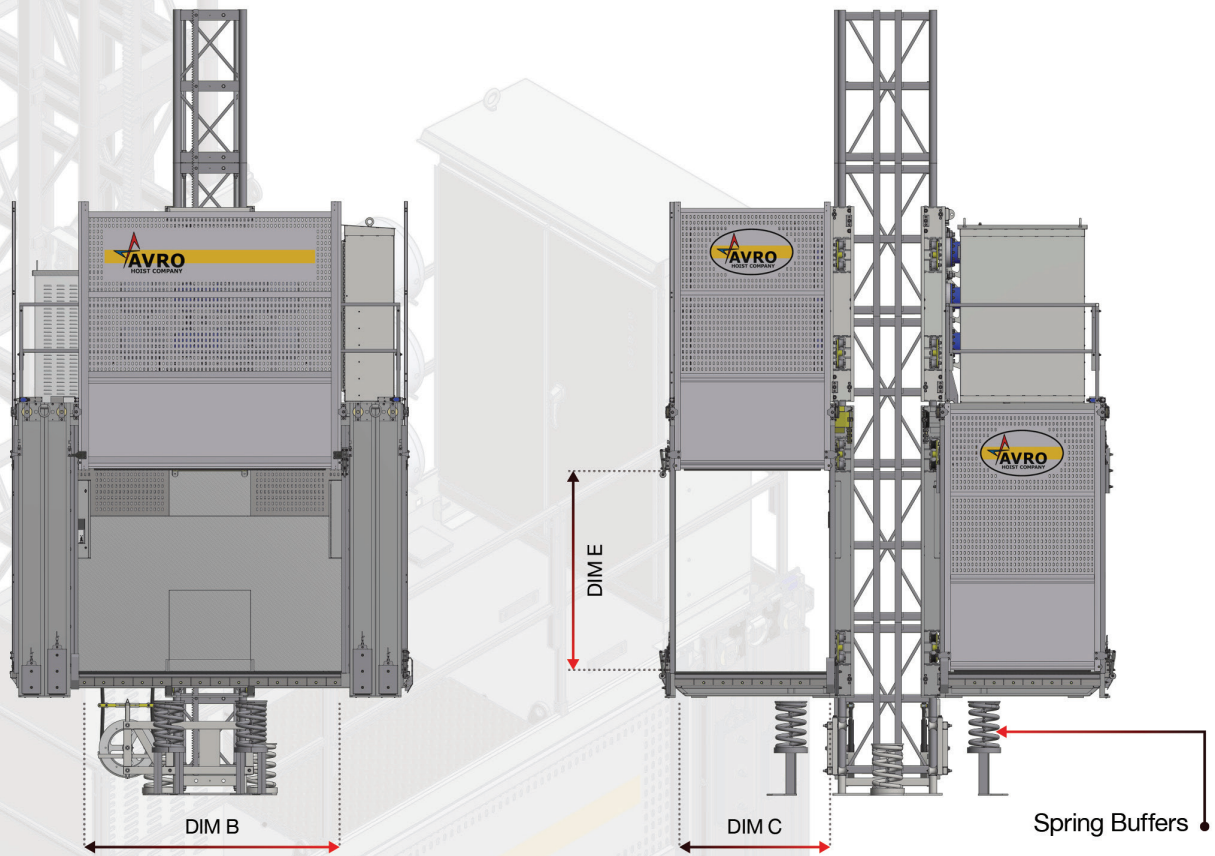
Working Platform

Type V Tie In

Power Cable Trolley

Ground Enclosure





AVR660HS 6600 lb Capacity Man & Material Hoist

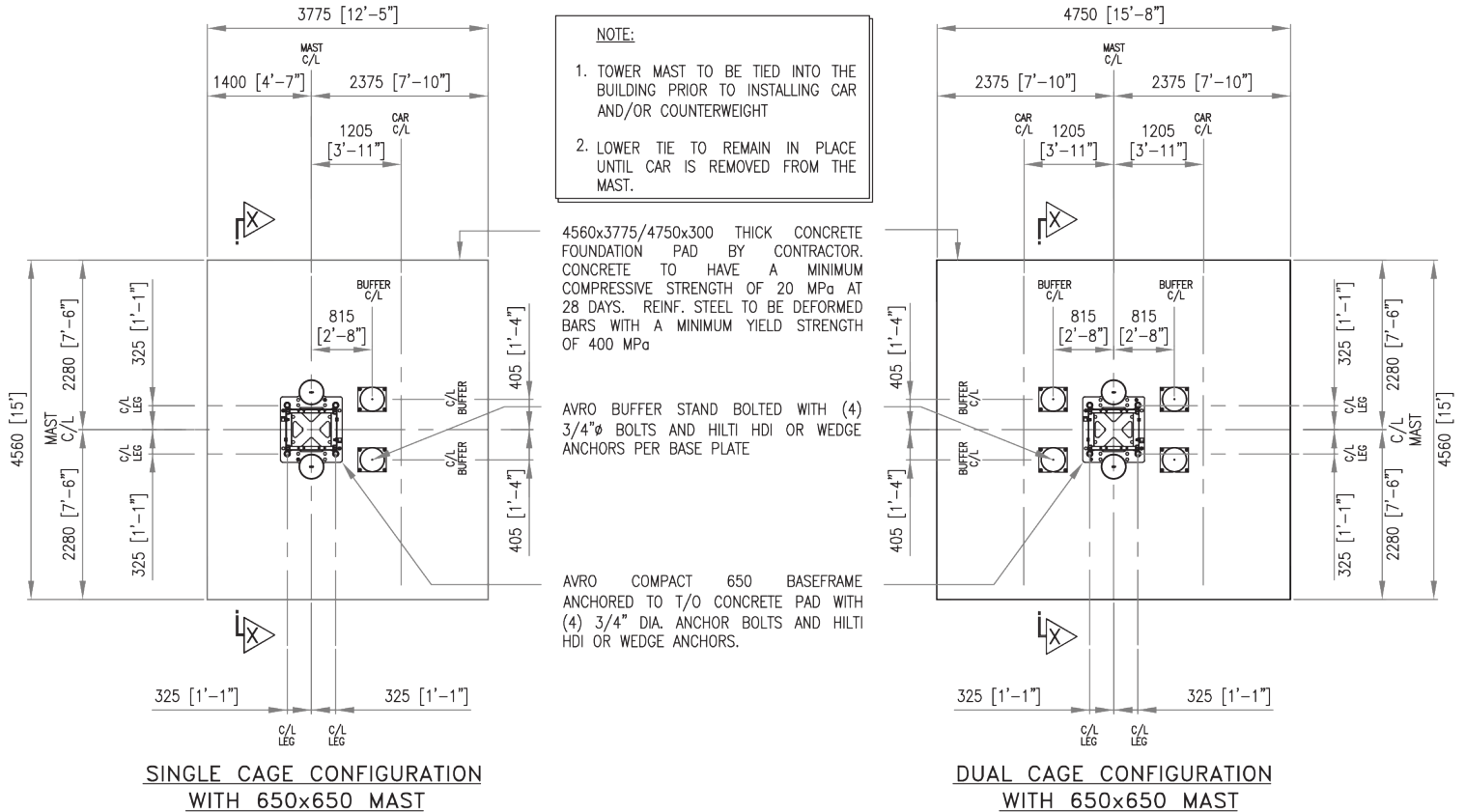
AVRO Hoist Model:	AVR660		AVR660T	
-------------------	--------	--	---------	--

Dimensions	Imperial	Metric	Imperial	Metric
A-Clear Inside Length	12'6"	3.81 m	12'6"	3.81 m
B-Optional Side Door Width	8'6"	2.59 m	8'6"	2.59 m
C-Front/Rear Doors Width	5'0"	1.52 m	5'0"	1.52 m
D-Overall Height	9'6"	2.9 m	11'6"	3.51 m
E-Door Opening Height	6'6"	2 m	8'-0"	2.44 m
F-Enclosure Height	12'10"	3.91 m	13'10"	4.22 m
G-Enclosure Length	14'4"	4.37 m	14'4"	4.37 m
H-Enclosure Width	16'0"	4.88 m	17'8"	5.39 m
I-Enclosure Loading Height	4'4"	1.32 m	4'4"	1.32 m

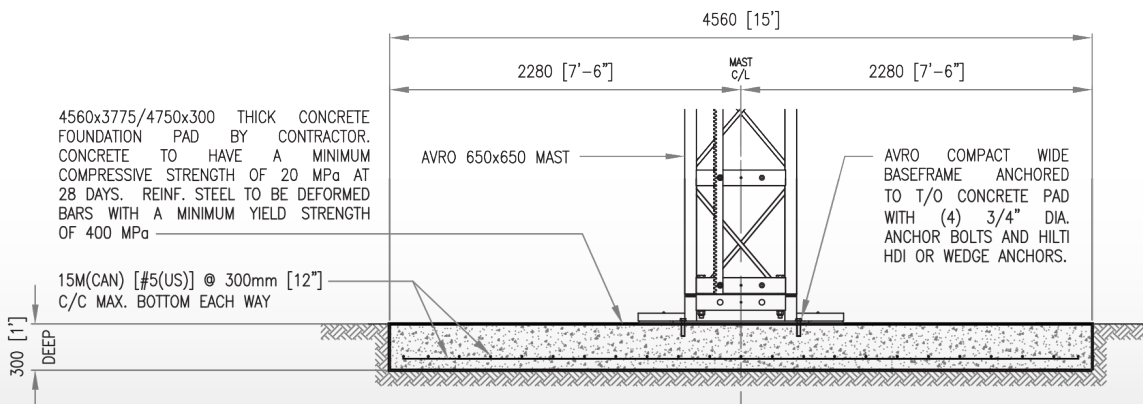
TECHNICAL DATA		
Configuration	Twin or Single cage	
Unit of Measure	Imperial	Metric
Rated capacity	6,600 lbs	3,000 kg
Rated speed	200 fpm	60 m/min
Counterweight	N/A	
Max travel distance	1475 ft	450 m
Lifting device cap.	750 lbs	340 kg
Safety device	Type D	
Gear Ratio	13:1	
Brake Torque per	221 ft-lbs	300 Nm
ELECTRICAL DATA		
Power supply	460/3/6	
Motor Power	(3) x 30hp	(3) x 22kW
Full load current	150 Amp	
Starting current	Varies	
Frequency drive	120 hp	90kW
Brake power supply	220VDC	
WEIGHTS		
Gross per car	9,500 lbs	4,300 kg
Mast (650x650x8)	550 lbs	250 kg
Traveling cable	4 lb/ft	6 kg/m
Tie-in	10% of total mast	

AVR660HS 6600 lb Capacity Man & Material Hoist

AVRO 650X650 MAST



FOUNDATION PAD PLAN LAYOUT



NOTE:

ALL HOIST CAGES ARE DESIGNED AND BUILT IN CONFORMANCE WITH CAN/CSA-Z185-M87 LOCAL SAFETY CODE.

ALL SIZES AND DIMENSION ARE SUBJECT TO CHANGE AT ANY TIME WITHOUT NOTICE AND MUST BE VERIFIED BY LOCAL CERTIFIED ENGINEER.

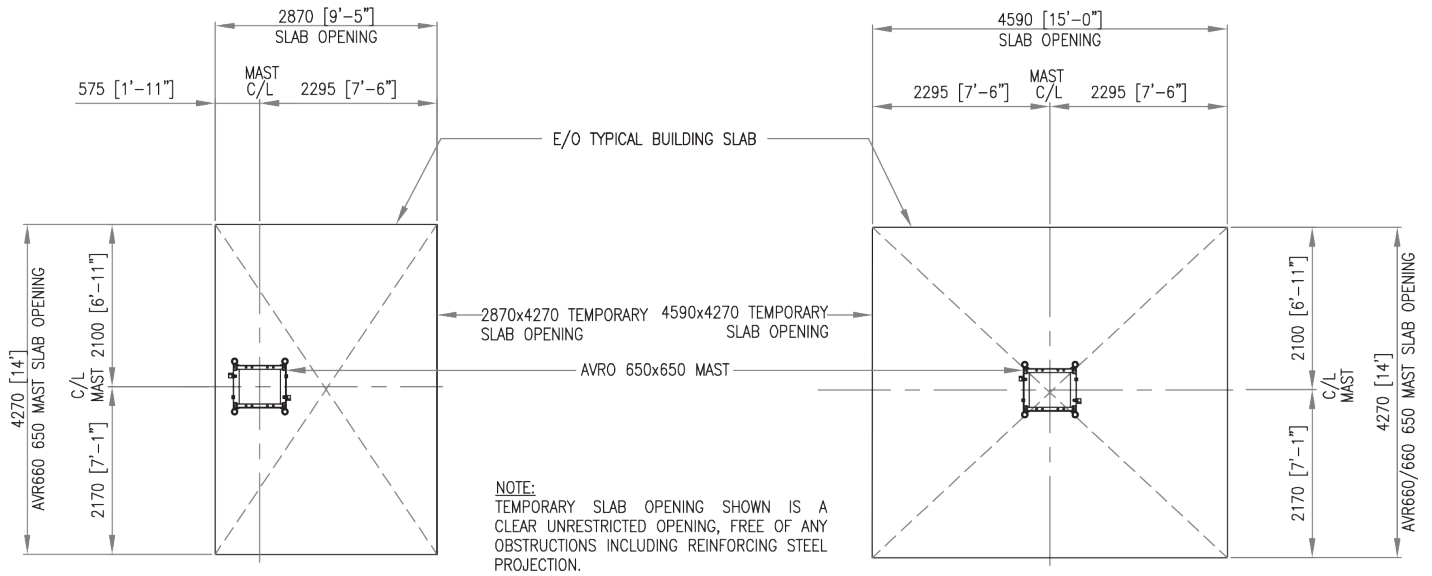
ANY CHANGES OR MODIFICATION SHOULD BE CONSULTED WITH AVRO HOIST COMPANY.

ALL TIE-IN ANCHOR SPECIFICATION AND/OR EXISTING STRUCTURE REINFORCING TO BE DESIGNED AND APPROVED AS PER LOCAL SAFETY STANDARDS AND REGULATION BY LOCAL CERTIFIED ENGINEER PRIOR TO ANY WORK COMMENCING.

NOTE:

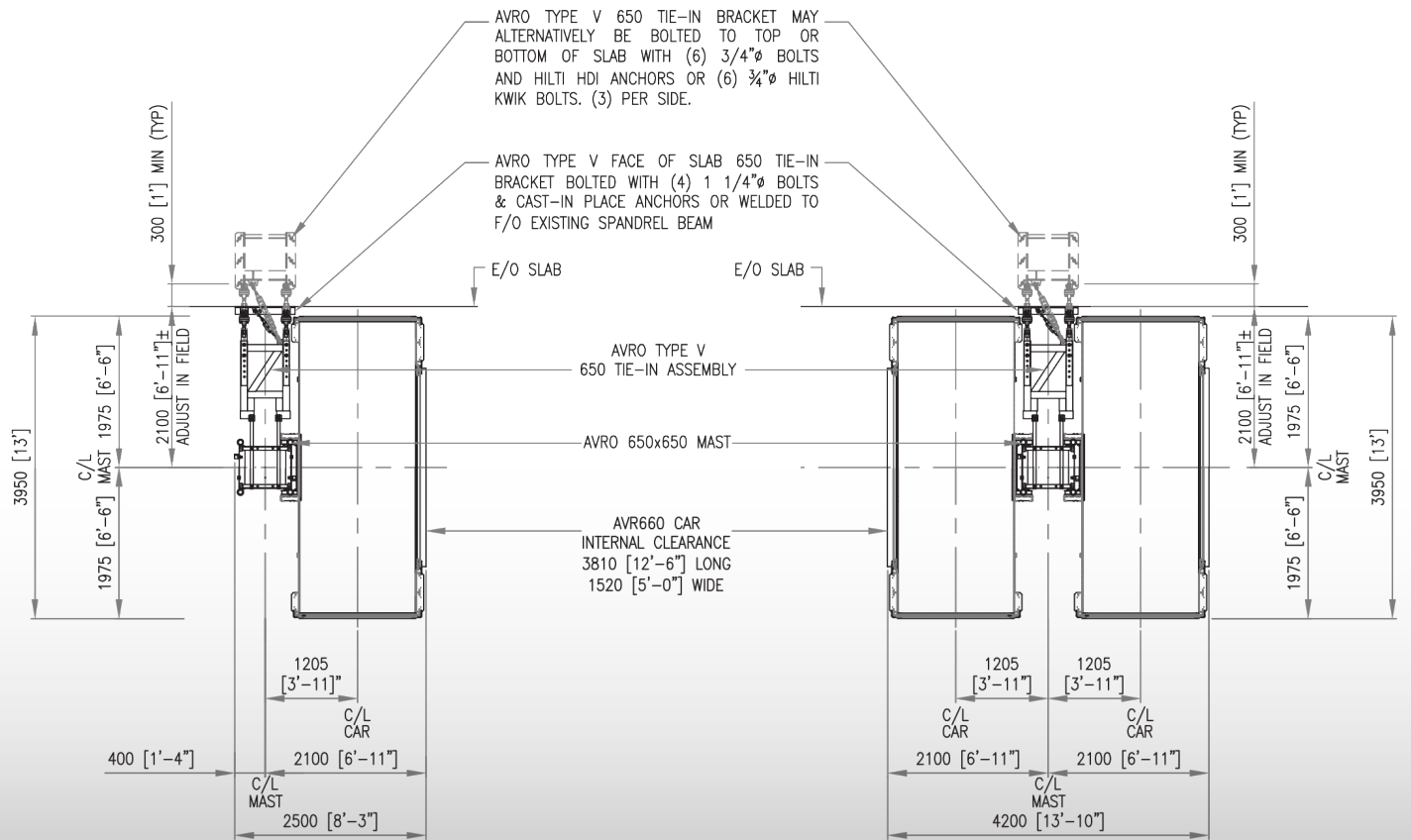
SOIL ENGINEER FOR THE PROJECT TO ENSURE THAT SOIL UNDER HOIST PAD IS CAPABLE OF SUPPORTING A CAPACITY OF 3,000PSF.

FOUNDATION PAD SECTION X-X



SINGLE CAGE SLAB OPENING PLAN LAYOUT
WITH 650x650 MAST

DUAL CAGE SLAB OPENING PLAN LAYOUT
WITH 650x650 MAST

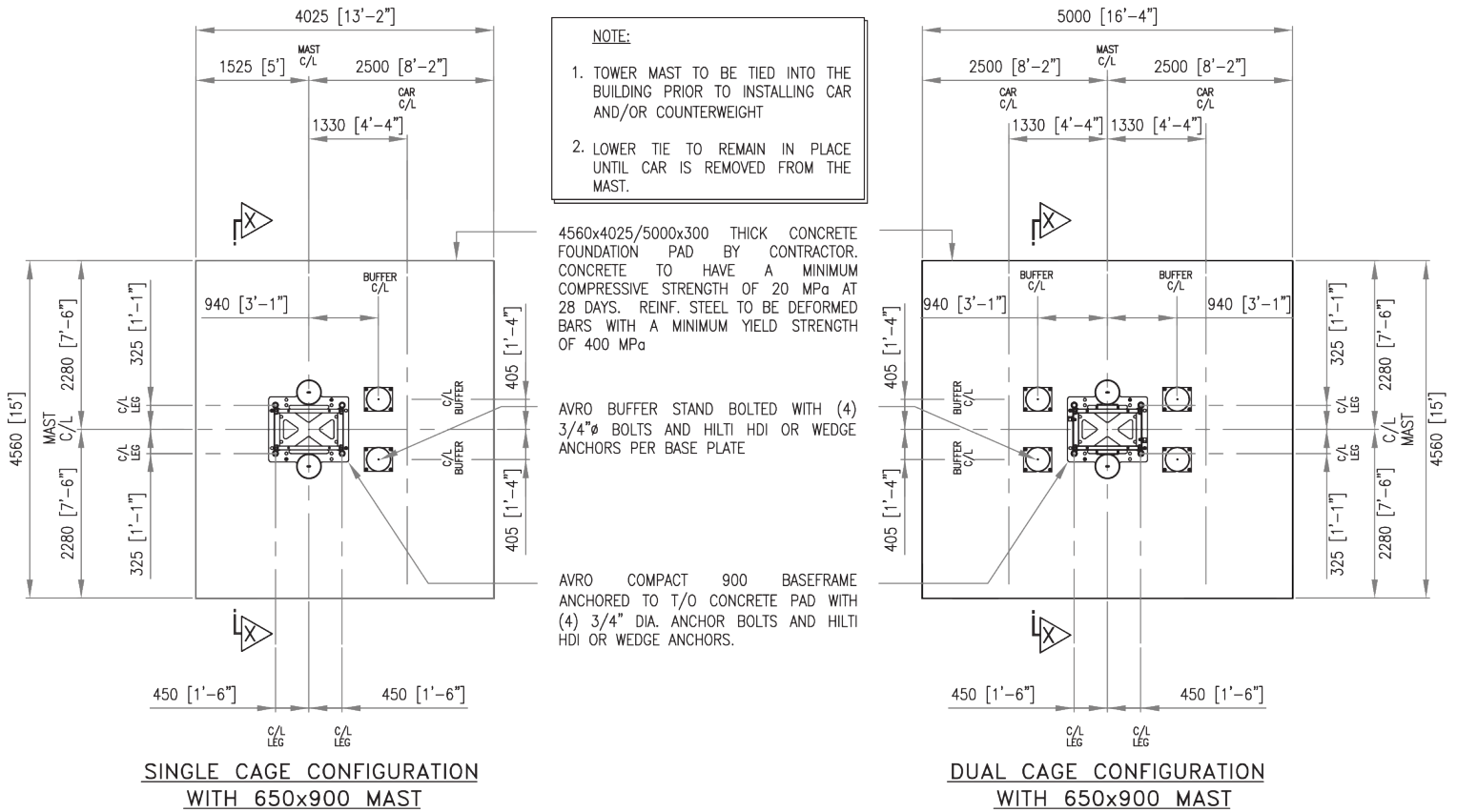


AVRO AVR660 SINGLE CAGE
TYPICAL TYPE V TIE-IN DETAIL PLAN LAYOUT
WITH 650x650 MAST

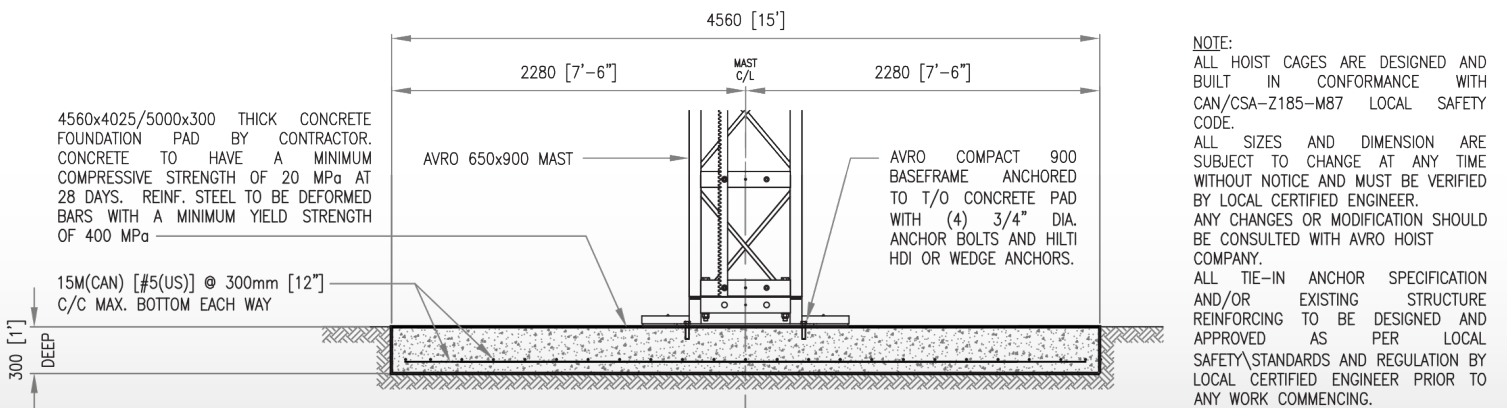
AVRO AVR660 DUAL CAGE
TYPICAL TYPE V TIE-IN DETAIL PLAN LAYOUT
WITH 650x650 MAST

AVR660 6600 lb Capacity Man & Material Hoist

AVRO 650X900 MAST

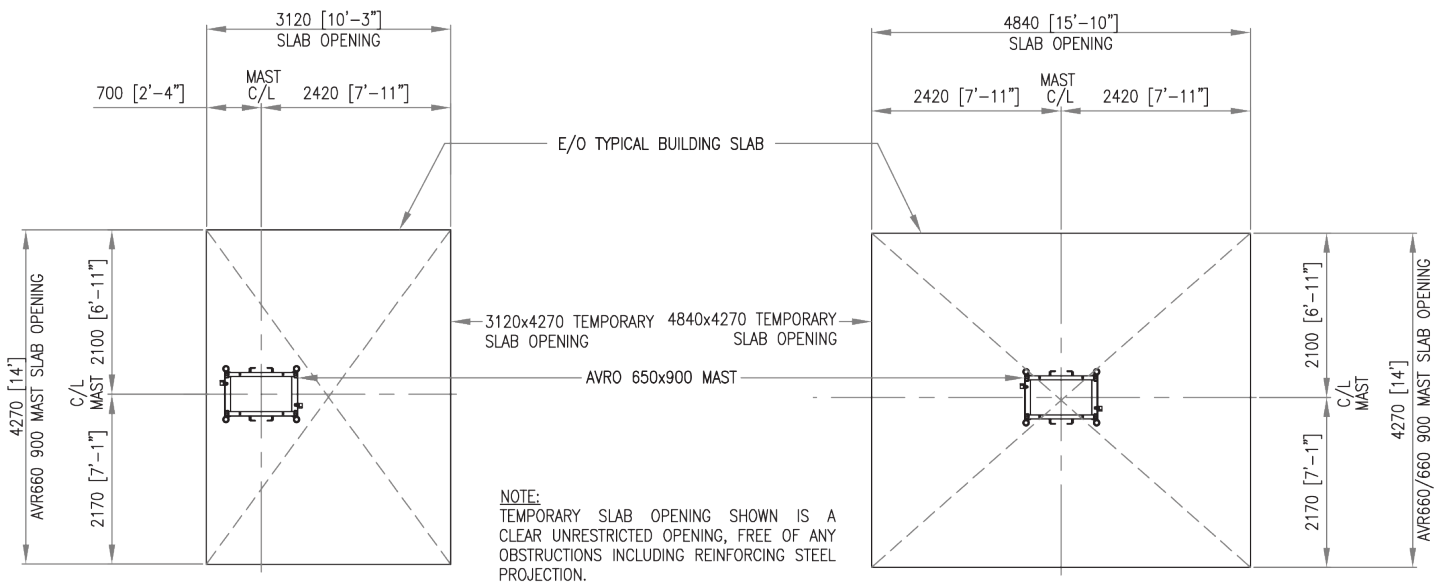


FOUNDATION PAD PLAN LAYOUT



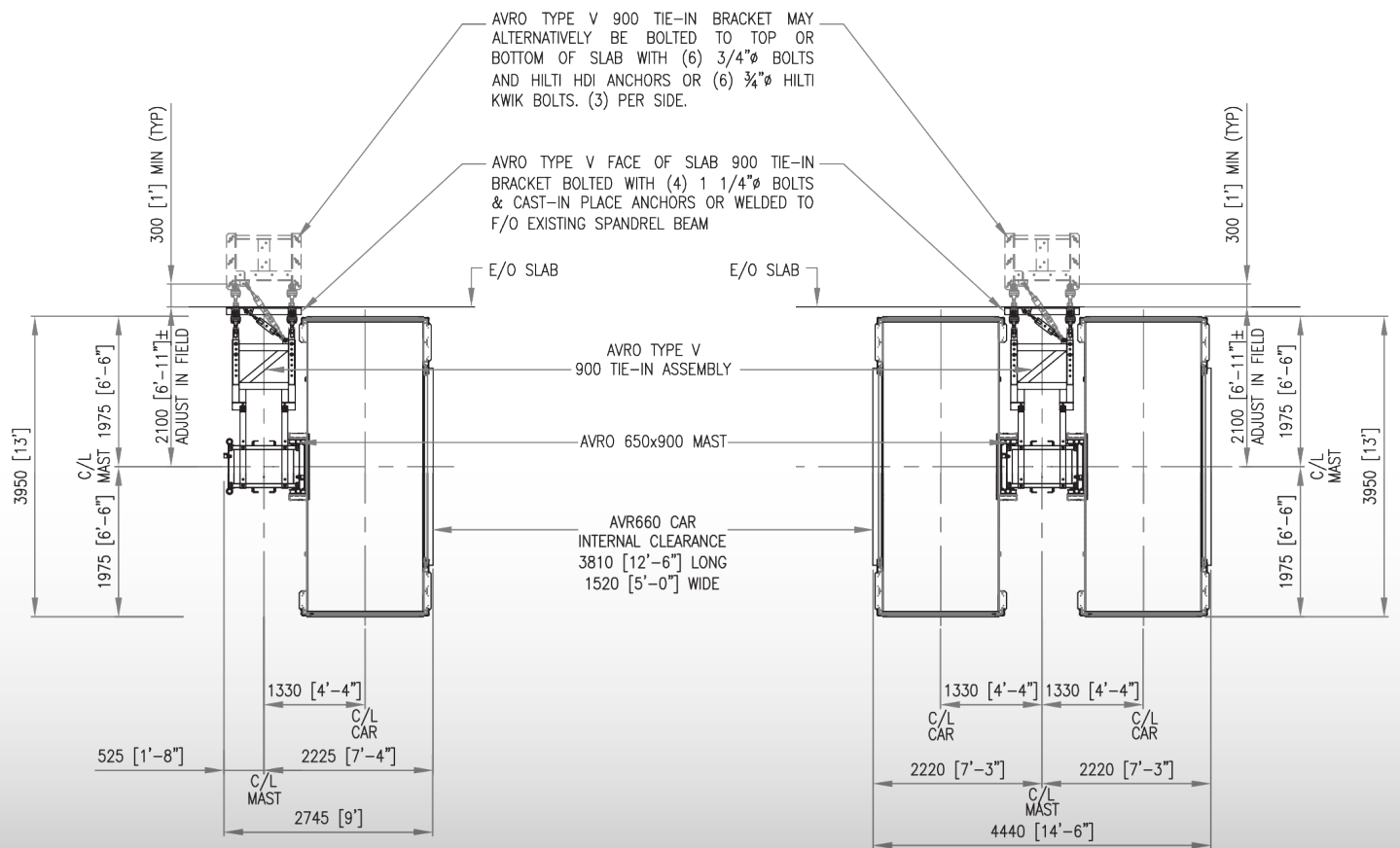
FOUNDATION PAD SECTION X-X

NOTE:
SOIL ENGINEER FOR THE PROJECT TO ENSURE THAT SOIL UNDER HOIST PAD IS CAPABLE OF SUPPORTING A CAPACITY OF 3,000PSF.



SINGLE CAGE SLAB OPENING PLAN LAYOUT WITH 650x900 MAST

DUAL CAGE SLAB OPENING PLAN LAYOUT WITH 650x900 MAST

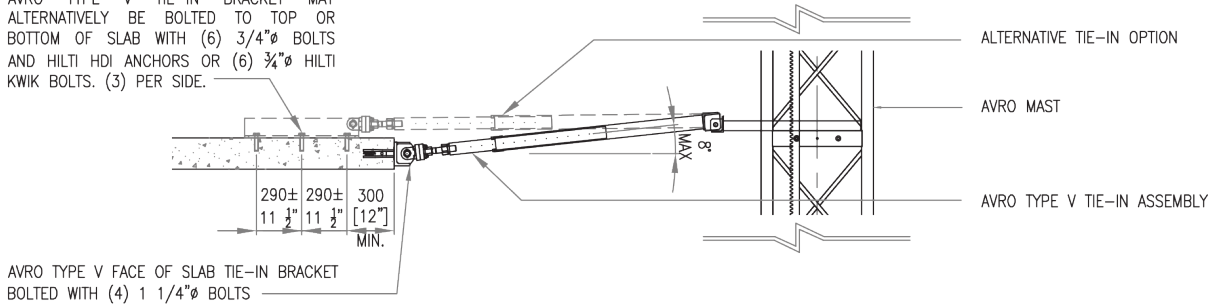


AVRO AVR660 SINGLE CAGE TYPICAL TYPE V TIE-IN DETAIL PLAN LAYOUT WITH 650x900 MAST

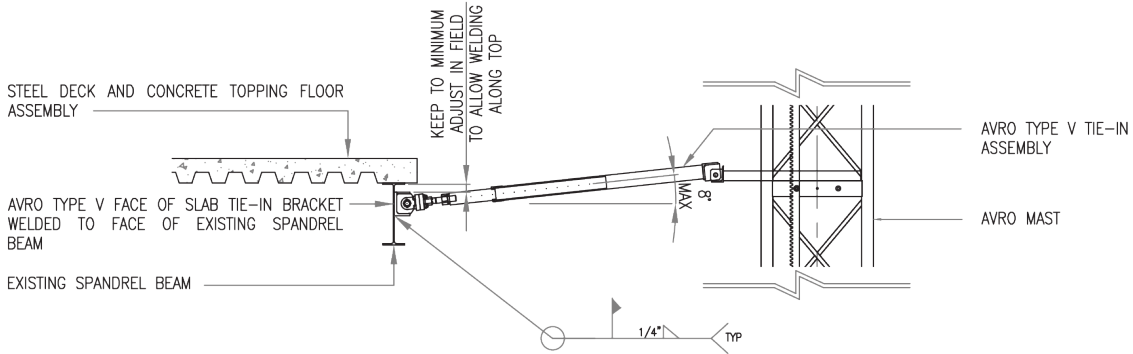
AVRO AVR660 DUAL CAGE TYPICAL TYPE V TIE-IN DETAIL PLAN LAYOUT WITH 650x900 MAST

AVR660 6600 lb Capacity Man & Material Hoist

AVRO TYPE V TIE-IN BRACKET MAY ALTERNATIVELY BE BOLTED TO TOP OR BOTTOM OF SLAB WITH (6) 3/4"Ø BOLTS AND HILTI HDI ANCHORS OR (6) 3/4"Ø HILTI KWIK BOLTS, (3) PER SIDE.

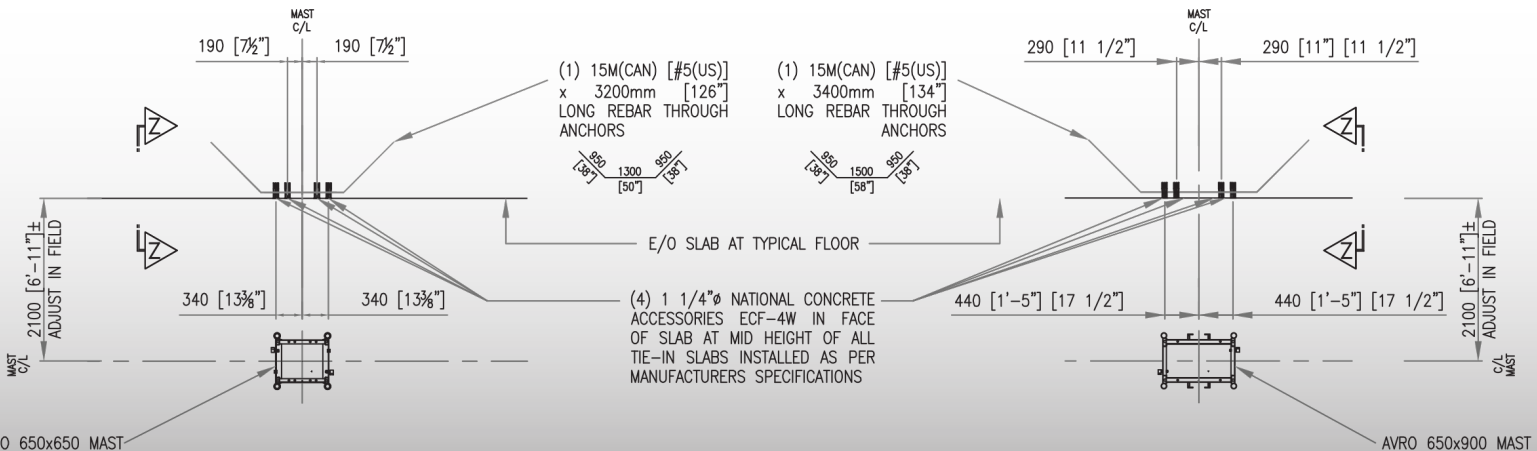
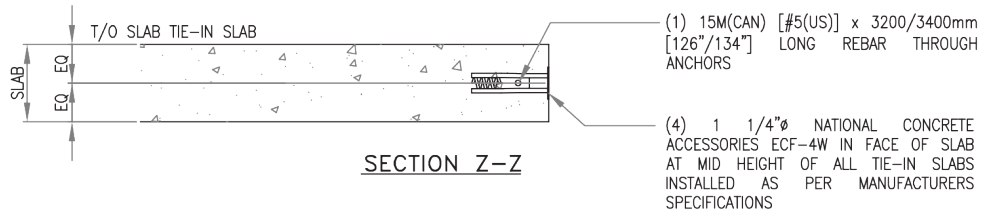


TYPICAL AVRO TYPE V TIE-IN DETAIL SECTION INTO CONCRETE FLOOR SLAB ASSEMBLY



TYPICAL AVRO TYPE V TIE-IN DETAIL SECTION INTO STEEL DECK & CONCRETE FLOOR ASSEMBLY

NOTE:
STRUCTURAL ENGINEER FOR THE PROJECT IS TO DETERMINE THE REQUIREMENTS FOR ADDITIONAL FRAMING REINFORCEMENT TO SUPPORT THE LOADS TRANSFERRED TO STRUCTURE FROM HOIST.



AVRO TYPE V 650 MAST CAST-IN PLACE ANCHOR LAYOUT

AVRO TYPE V 900 MAST CAST-IN PLACE ANCHOR LAYOUT

AVR660HS

AVR660HS



CONTACT

Tel: (905) 362-3740

Fax: (905) 362-3744

info@avrohoist.com



ADDRESS

6240 Danville Road
Mississauga, ON, L5T 2H7